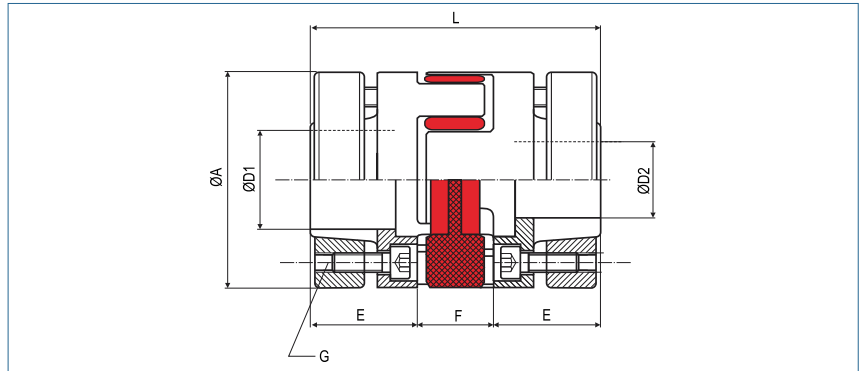


**Servo Insert Coupling**

with outer conical hubs, compact

optional full stainless steel version



<b>Order Code</b>	<b>KBE3C</b>	<b>- 48</b>	<b>- 40</b>	<b>- 35</b>	<b>- 98Sh</b>
	Type	Size	ØD1 (H7)	ØD2 (H7)	Shore-hardness

Size	Dimensions (mm)						Technical Data			
	Ø A Outer Ø	L Length	Ø D1-D2 Bore Sizes (H7) min-max	E	F	G Screw (ISO4762) TA (Nm)	max. speed rpm. (1/min)	Mass (per coupling) (g)	Moment of Inertia (per coupling) J (g m <sup>2</sup> )	Torque (Nm)
14	30	42	6 - 14	14.5	13	M3 1.34	25000	91	0.012	12.5
19	40	56	10 - 20	20	16	M4 3	19000	252	0.063	17
24	55	64	14 - 28	23	18	M5 6	14000	492	0.236	60
28	65	76	19 - 38	28	20	M5 6	12000	776	0.535	160
38	80	96	20 - 45	36	24	M6 10	10000	1639	1.686	325
42	95	103	28 - 50	38.5	26	M8 35	8000	2612	3.621	450
48	105	110	30 - 55	41	28	M8 35	7000	3105	5.465	525

Size	Transmittable torque (Nm) depending on shaft diameter (mm)																					
	6	10	11	14	15	16	19	20	24	25	28	30	32	35	38	40	42	45	48	50	55	
14	5.4	7.5	11.3	24.7																		
19		17	20	41	49	36	56	64														
24				47	57	67	98	110	127	139	175											
28							121	133	201	219	248	285	253	307	329							
38								203	304	331	394	452	453	543	550	609	669	634				
42											444	508	535	638	692	763	754	858	964	976		
48												572	638	762	842	929	943	1074	1208	1136	1336	

**+** **Material** hub - aluminium  
outer conical hub - steel  
spider element - polyurethane

**Hub** bore tolerance: H7

**Shore-hardness** 98 Sh A (red)

Further spider elements and technical data are available on page 42.